



Y6 Science Knowledge Organiser – Electricity



Learning Objectives:

- To describe what a simple circuit needs to work and the function of each component.
- To use recognised symbols when drawing a simple circuit.
- To recognise whether a circuit will work.
- To explain the purpose and importance of switches.
- To measure how voltage affects bulb brightness.
- To measure how voltage affects the volume of a buzzer.

Vocabulary:

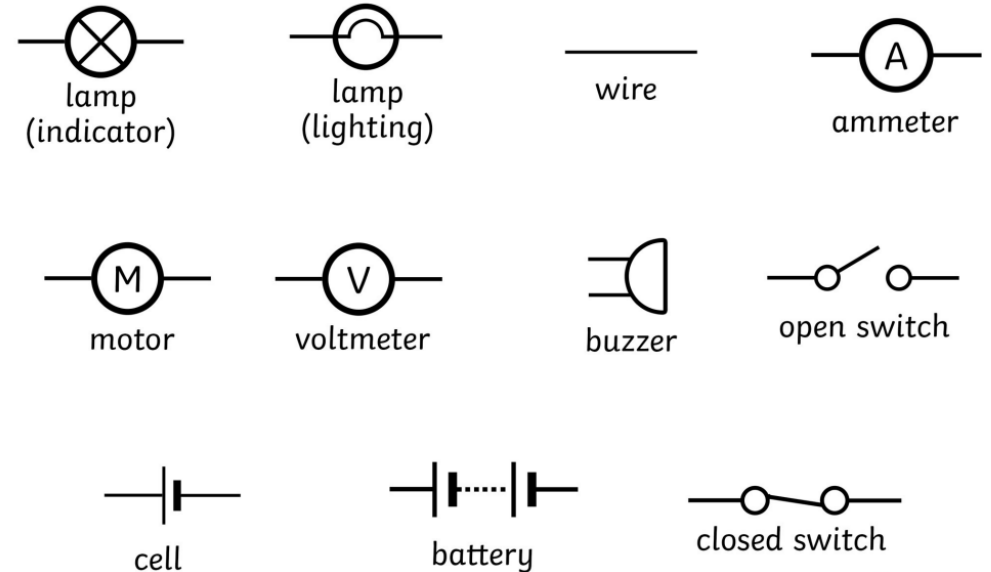
Tier 2

function	observations
predictions	Scatter graph

Tier 3

circuit	component
power source	output
motor	buzzer
electrons	voltage

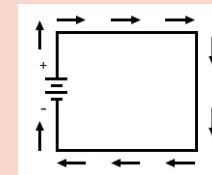
Key Knowledge:



When components do not work in a circuit the bulb will not light up.

If they wires are not all connected the bulb will not light up.

The bulb may also not light up because it is not working properly or the battery has run out of power.



Switches can control the flow of electrons are used to control circuits and the flow of electricity.

Voltage is the pressure from an electrical circuit's power source that pushes charged electrons (current) through a conducting loop. The voltage in a circuit affects how the components perform e.g. the bulb being brighter or buzzer being quieter.